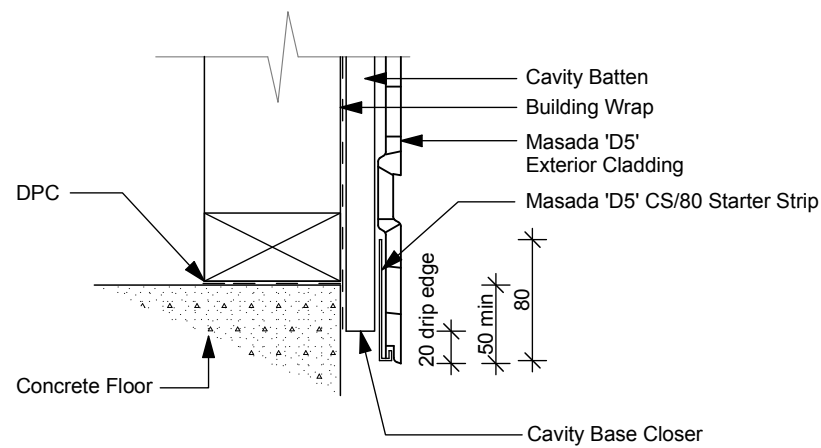


(a) Soffit Details

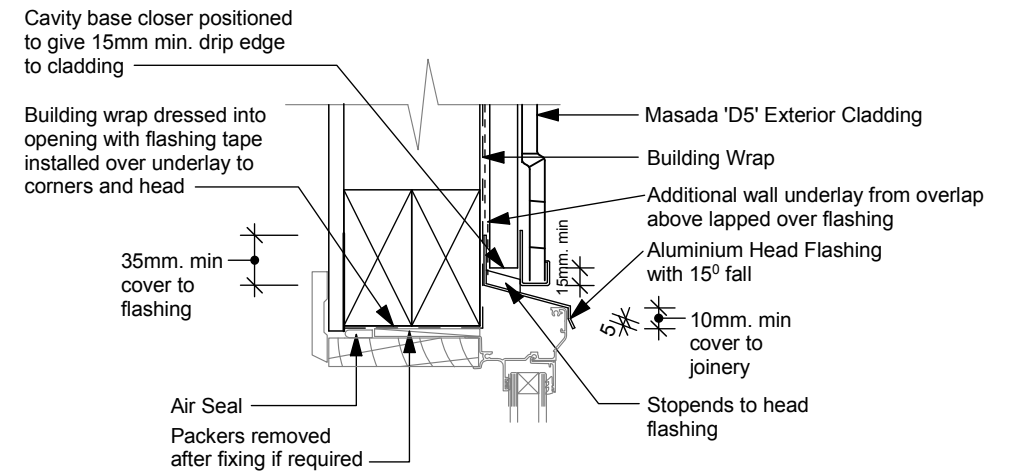


(b) Bottom/Foundation Details

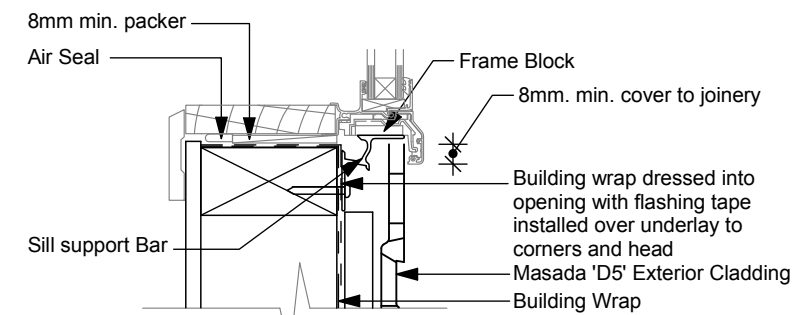
Detail 01

Top/Bottom Details for Masada 'D5' Vinyl Cladding on Cavity

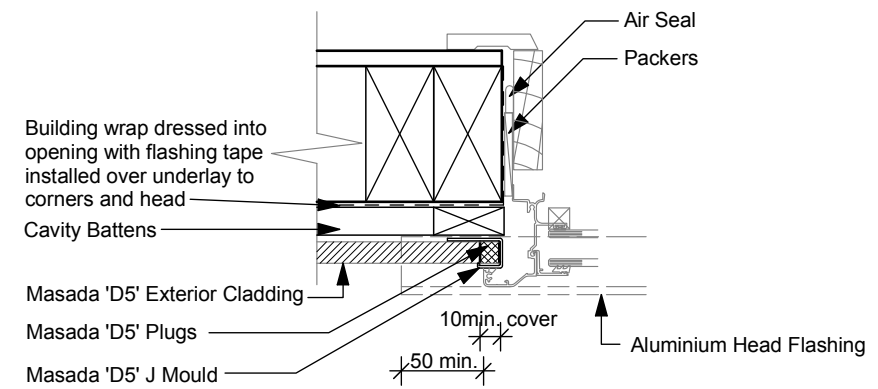
Scale - 1 : 5



(a) Head



(b) Sill



(c) Jamb

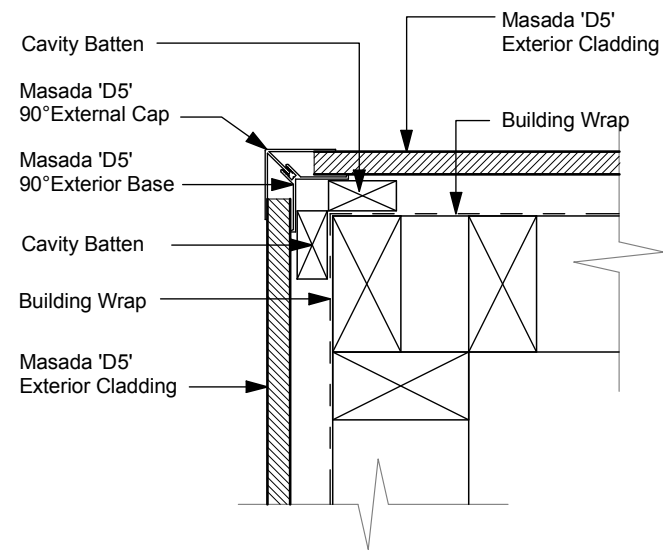
Detail 02

Windows for Masada 'D5' Vinyl Cladding on Cavity

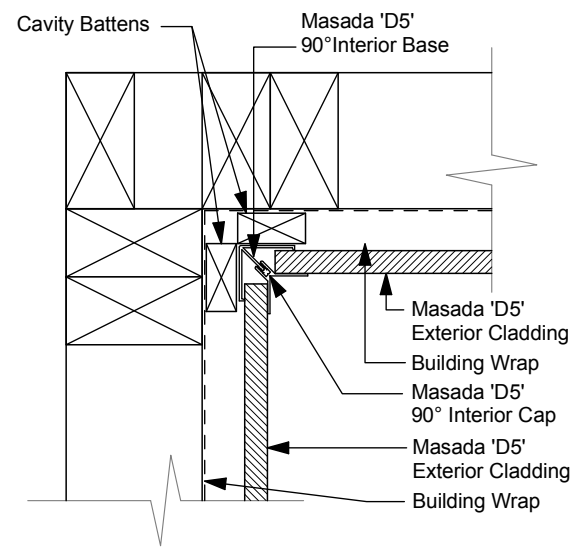
Scale - 1 : 5



Roly Bolton –
 Ph. 0508 627232 – Mob. 027 492 7329
 Email. roly@masada.co.nz
 Website: www.masada.co.nz



(a) External 90° Corner

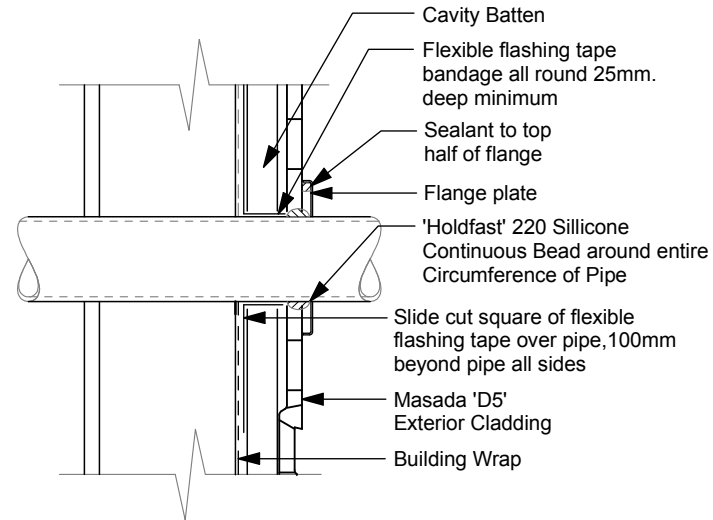


(b) Internal 90° Corner

Detail 03

90° Corners for Masada 'D5' Vinyl Cladding on Cavity

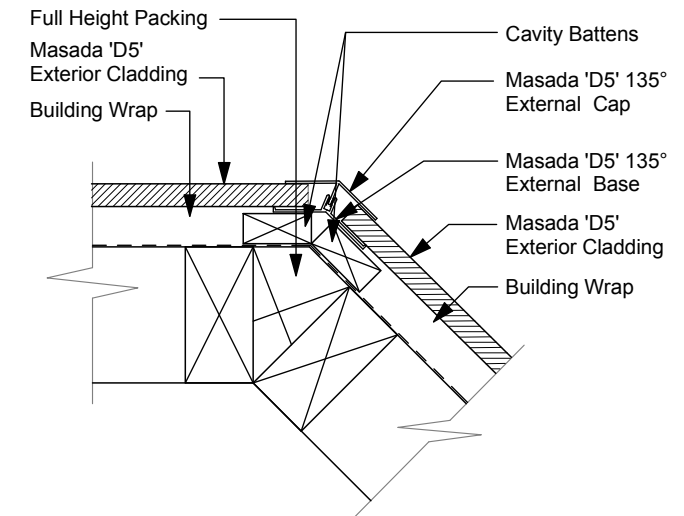
Scale - 1 : 5



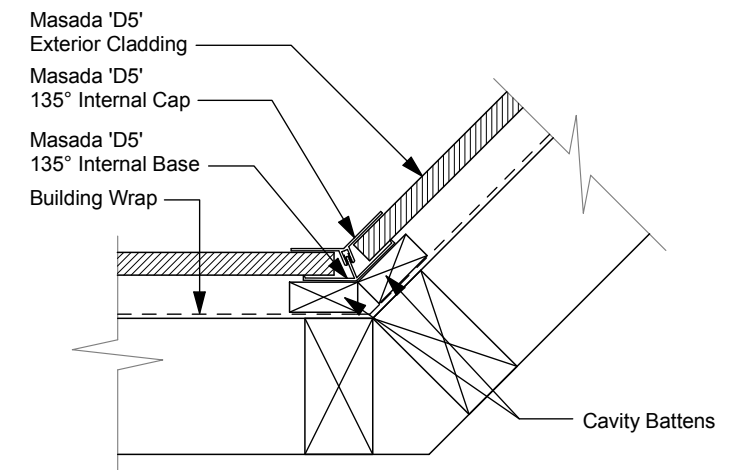
Detail 07

Pipe Penetration for Masada 'D5' Vinyl Cladding on Cavity

Scale - 1 : 5



(a) External Corner 135° Details



(b) Internal Corner 135° Details

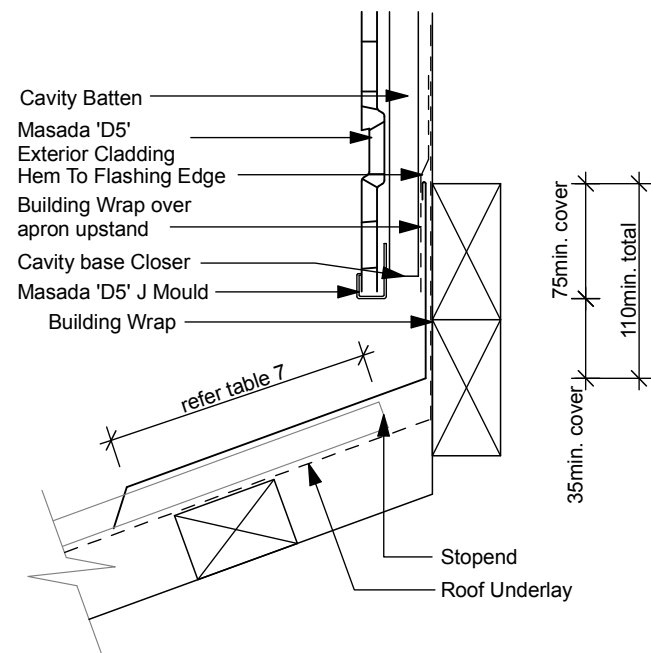
Detail 05

135° Corners for 'Masada D5' Vinyl Cladding on Cavity

Scale - 1 : 5

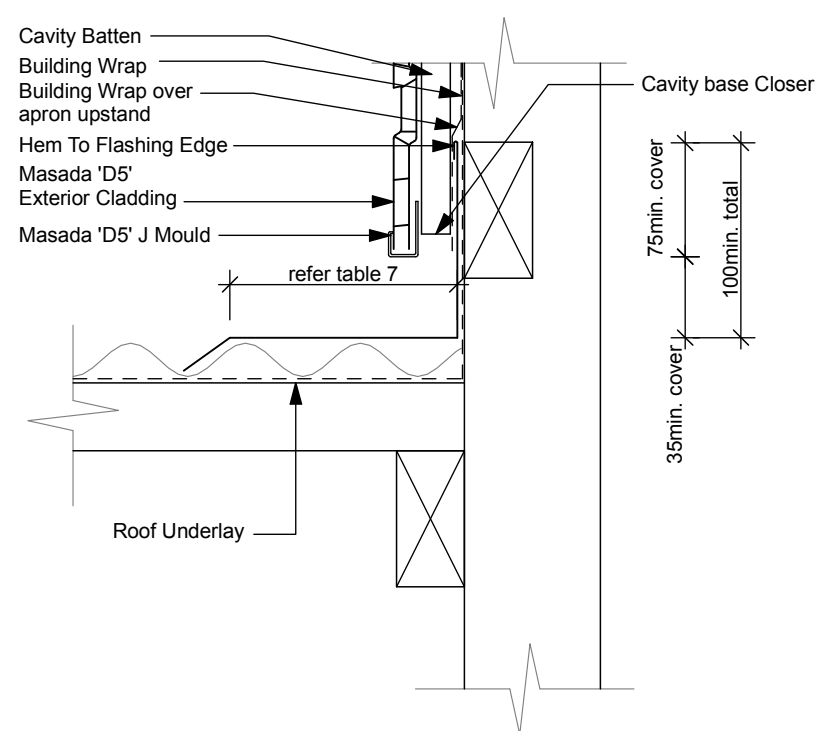


Roly Bolton –
 Ph. 0508 627232 – Mob. 027 492 7329
 Email. roly@masada.co.nz
 Website: www.masada.co.nz



(a) Apron Flashing

'X' = variable according to Wnd Zone - refer table 7.



(b) Parallel Apron Flashings

'X' = variable according to Wnd Zone - refer table 7.

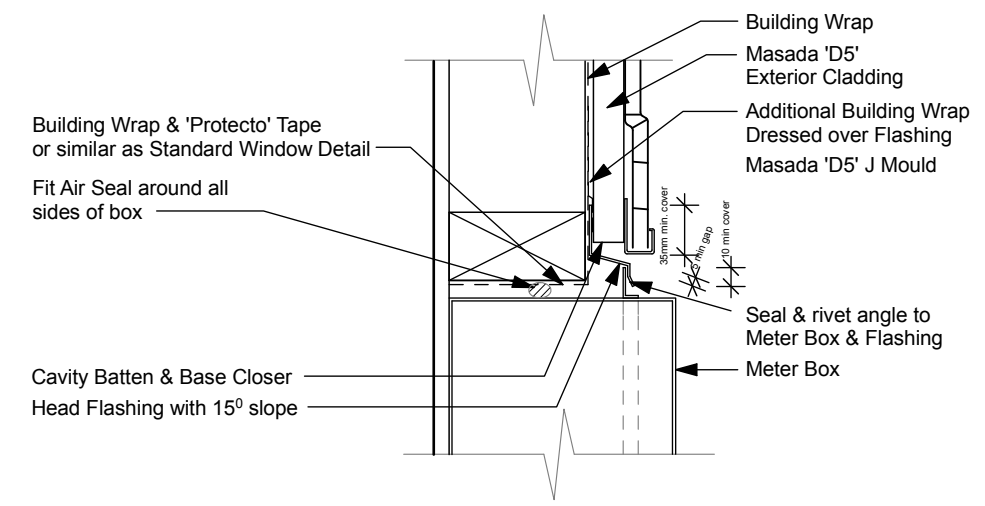
Detail 04

Roof Flashings for Masada 'D5' Vinyl Cladding on Cavity

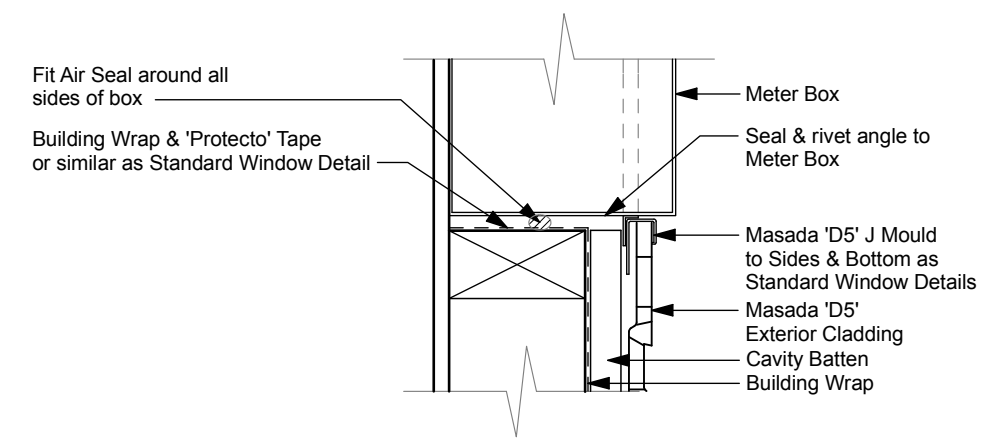
Scale - 1 : 5



Roly Bolton –
 Ph. 0508 627232 – Mob. 027 492 7329
 Email. roly@masada.co.nz
 Website: www.masada.co.nz



(a) Head



(b) Sides & Bottom

Detail 06

Meter Box for Masada 'D5' Vinyl Cladding on Cavity

Scale - 1 : 5