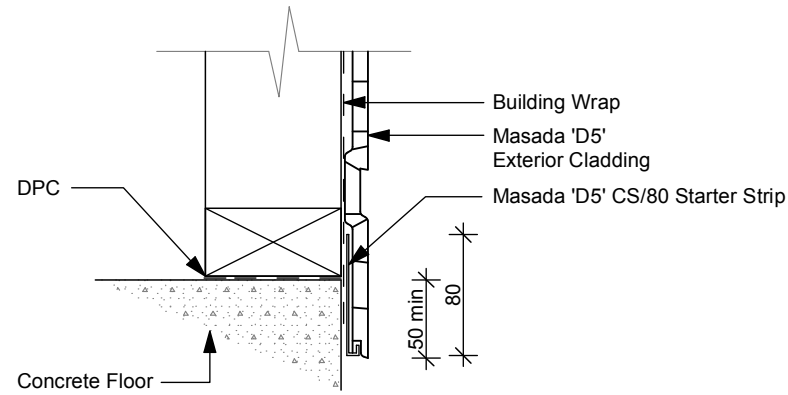


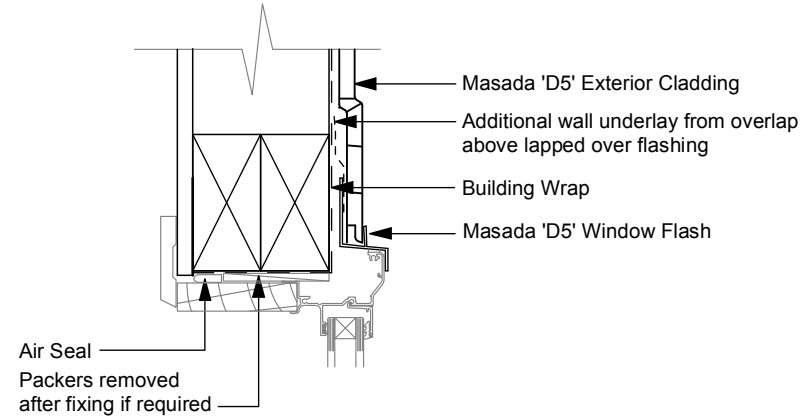
(a) Soffit Details



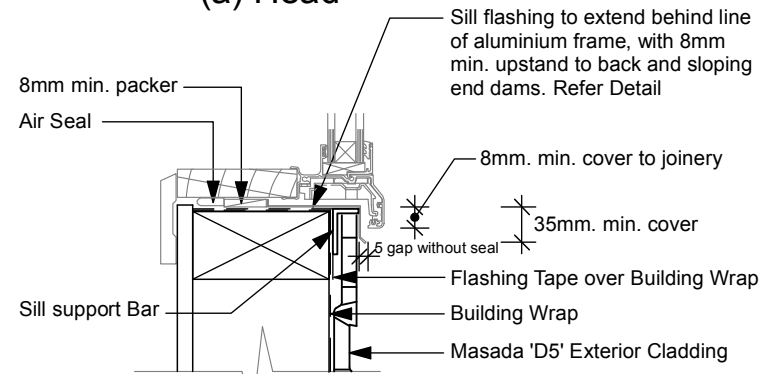
(b) Bottom/Foundation Details

Detail 01
Top/Bottom Details for
Direct Fix Masada 'D5' Vinyl Cladding

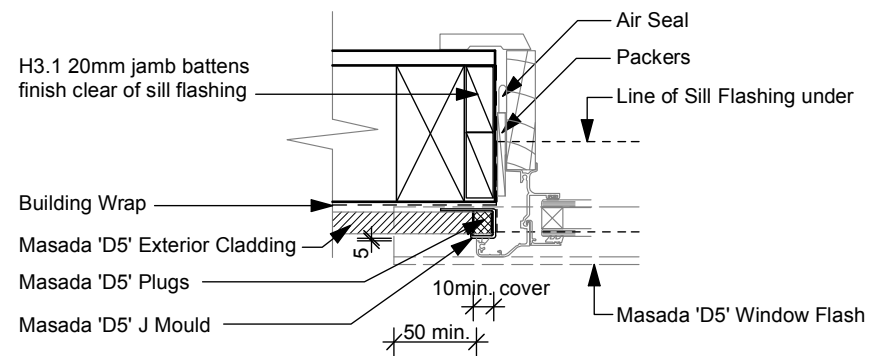
Scale - 1 : 5



(a) Head



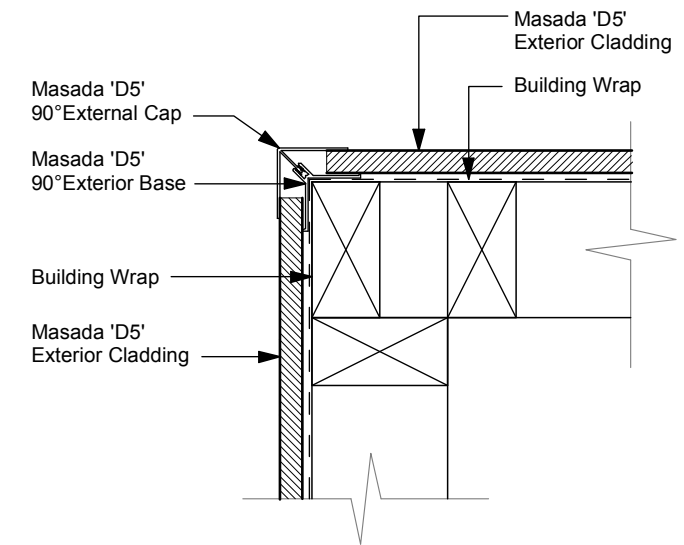
(b) Sill



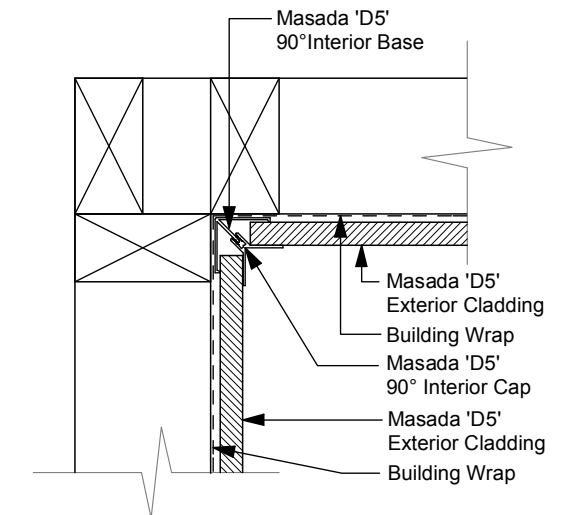
(c) Jamb

Detail 02
Windows for
Direct Fix Masada 'D5' Vinyl Cladding

Scale - 1 : 5



(a) External 90° Corner



(b) Internal 90° Corner

Detail 03
90° Corners for
Direct Fix Masada 'D5' Vinyl Cladding

Scale - 1 : 5



Roly Bolton –
 Ph. 0508 627232 – Mob. 027 492 7329
 Email. roly@masada.co.nz
 Website: www.masada.co.nz

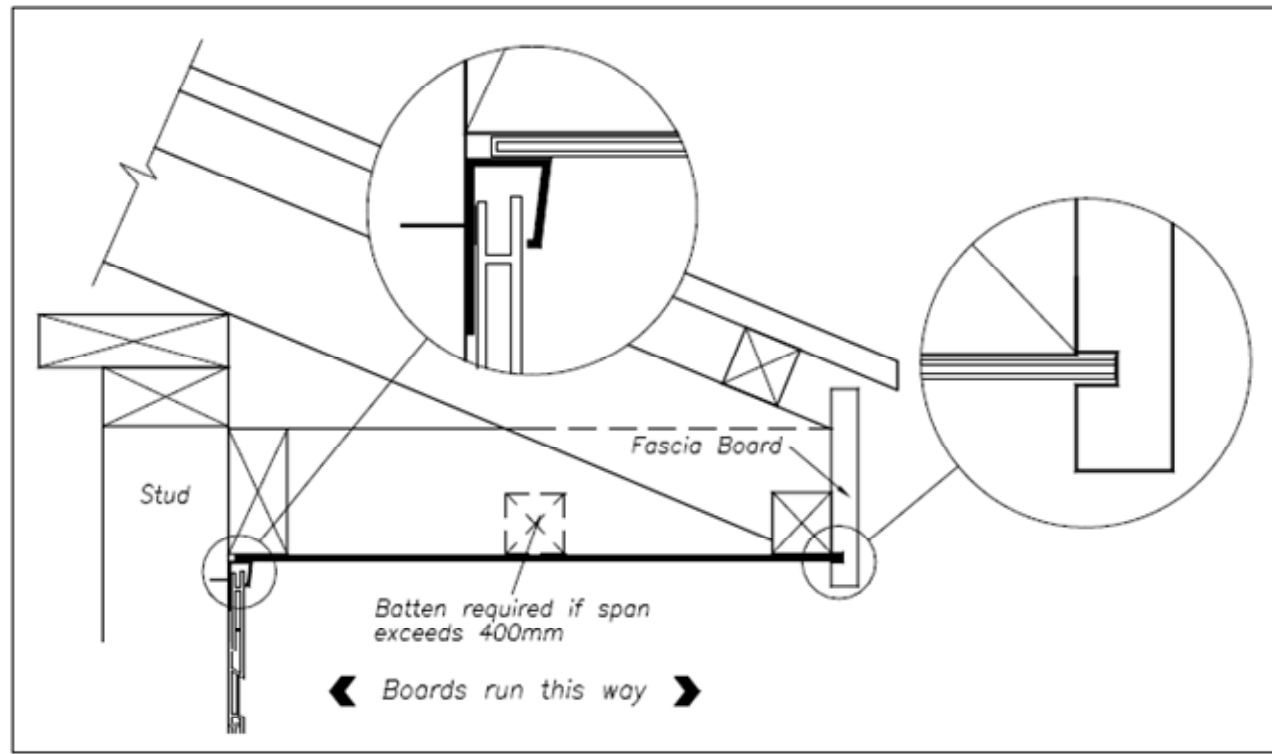


Fig 21 Soffit Detail

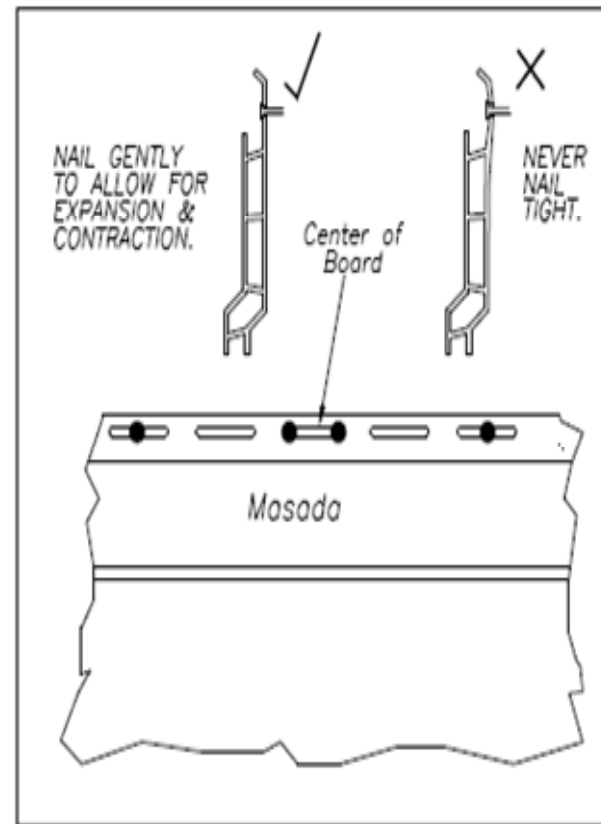


Fig 15 Fixing Details

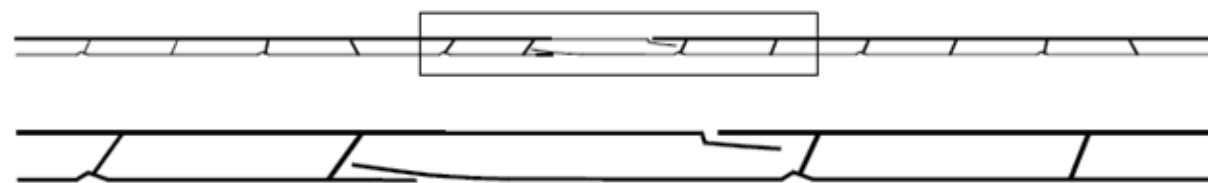


Fig 22 Soffit Assembly

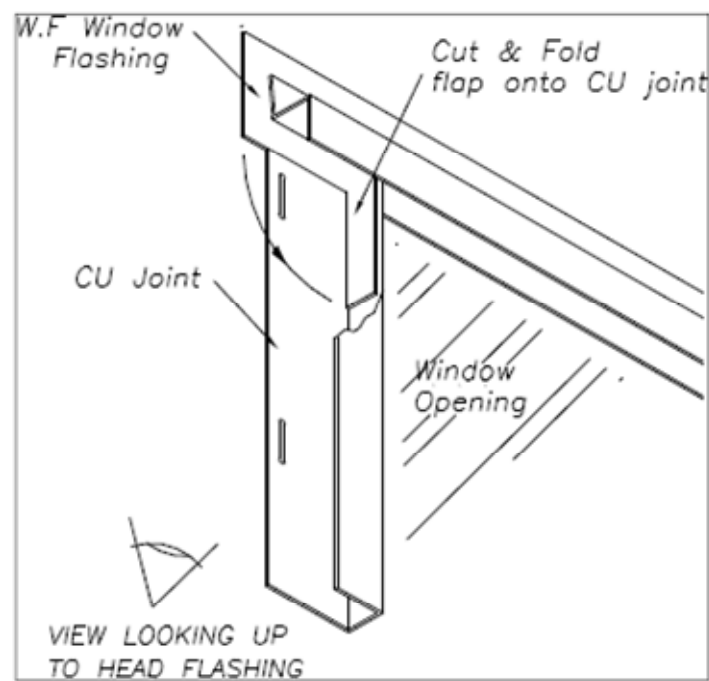
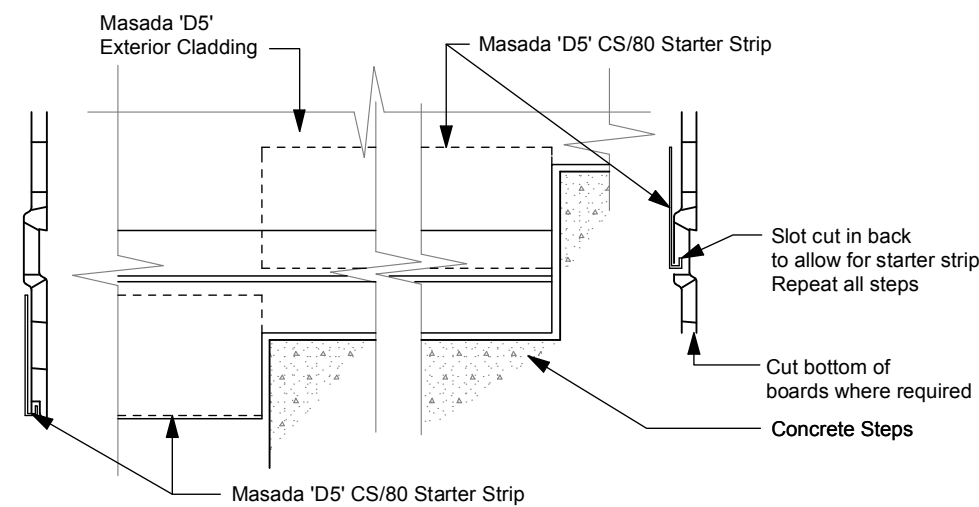
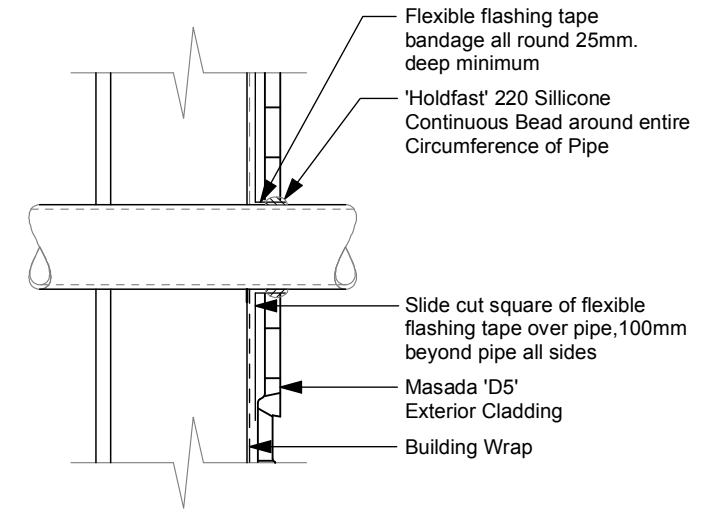


Fig 12 Head Flashing



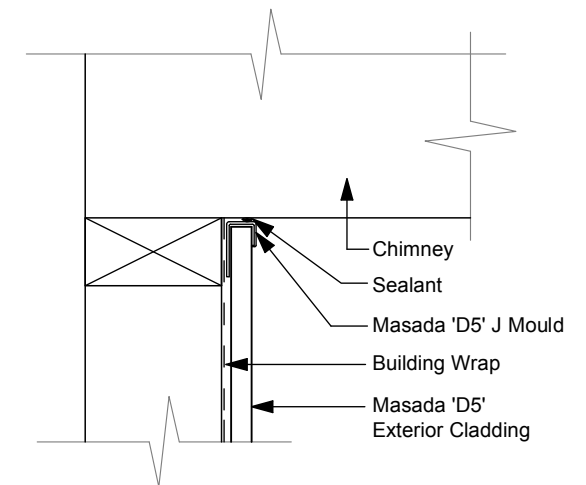
Detail 08
Conc.Step For
Direct Fix Masada 'D5' Vinyl Cladding

Scale - 1 : 5



Detail 07
Pipe Penetration for Direct Fix
Masada 'D5' Vinyl Cladding

Scale - 1 : 5



Detail 09
Chimney Junction For
Direct Fix Masada 'D5' Vinyl Cladding

Scale - 1 : 5



Roly Bolton –
Ph. 0508 627232 – Mob. 027 492 7329
Email. roly@masada.co.nz
Website: www.masada.co.nz